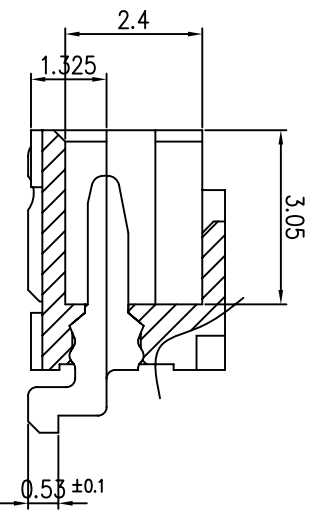
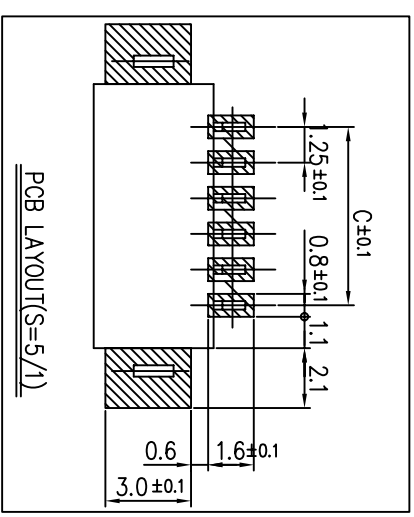
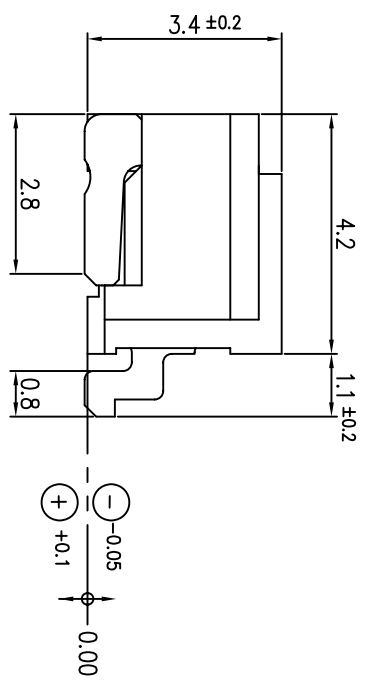
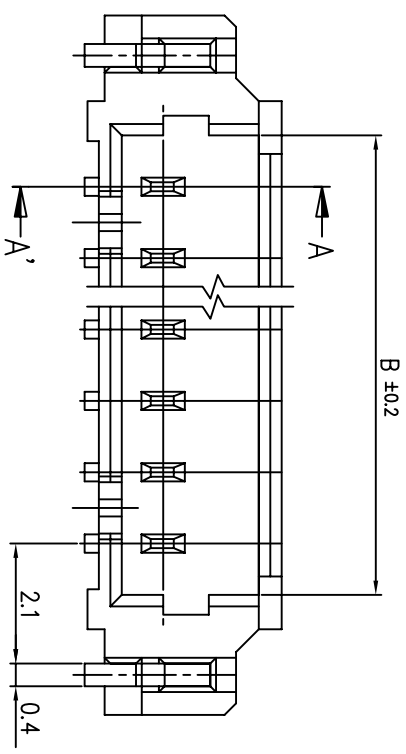
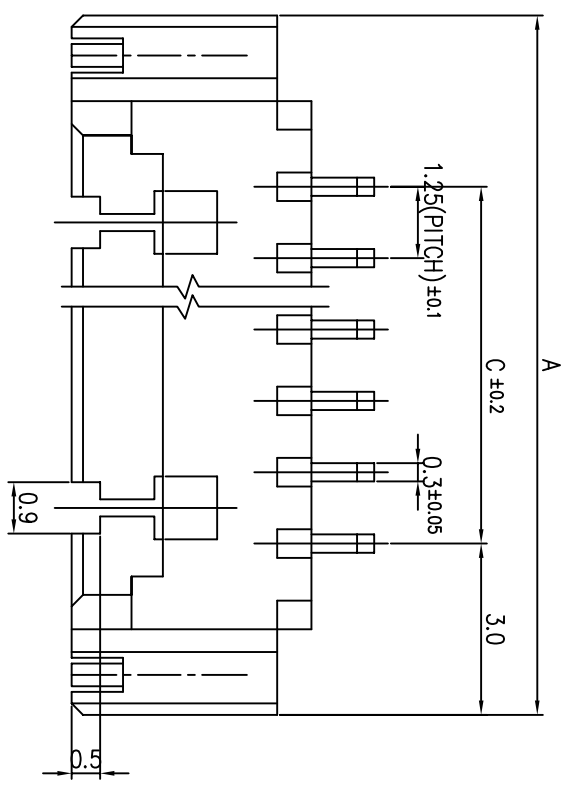


PIN	PARTS NO.	A	B	C
02	12505WR-02A00	7.25	3.05	
03	12505WR-03A00	8.50	4.30	2.50
04	12505WR-04A00	9.75	5.55	3.75
05	12505WR-05A00	11.00	6.80	5.00
06	12505WR-06A00	12.25	8.05	6.25
07	12505WR-07A00	13.50	9.30	7.50
08	12505WR-08A00	14.75	10.55	8.75
09	12505WR-09A00	16.00	11.80	10.00
10	12505WR-10A00	17.25	13.05	11.25
11	12505WR-11A00	18.50	14.30	12.50
12	12505WR-12A00	19.75	15.55	13.75
13	12505WR-13A00	21.00	16.80	15.00
14	12505WR-14A00	22.25	18.05	16.25
15	12505WR-15A00	23.50	19.30	17.50



SECTION A-A'



I/NO	SCALE	DRAWN	DESIGN	CHECK	APPD
	10/1				

Yeonho Electronics Co., Ltd.
 TITLE: 12505WR-NN

LTR	REVISION	RECORD	DATE	DR	CHK

"본 도면은 연호전자사의 지적재산이므로 영의 COPY 및 배포를 금합니다"